



KALİTE KONTROL RAPORU
QUALITY CONTROL REPORT 10204-3.1B



Sayfa No: Sayfa : 1/1
Dök.No: F09.25 rev.03
Tarih: 01.01.2008

Müşteri Customer		Rapor No-Tarih Report No-Date	
Parça Adı Part Name	SLOPE NUT 120X120	Sipariş Numarası Order No	
Parça Ağırlığı Unit Weight	1,2	Sevk Miktarı Quantity	
Parça Kodu Part Code	T120	Malzeme Material	GGG40

Kimyasal Analiz Chemical Composition

Şarj No Charge	% C	% Si	% Mn	% S	% P	% Mg	% Al	% Cr	% Mo	% Ni	% V
	3,59	2,58	0,21	0,009	0,038	0,047	-	-	-	-	-
	3,68	2,69	0,20	0,009	0,039	0,046	-	-	-	-	-
	3,73	2,64	0,20	0,009	0,038	0,048	-	-	-	-	-

Mekanik Özellikler Mechanical Properties

Şarj No Charge	Sertlik HB Hardness HB	Çekme Mukavemeti Rm Mpa Tensile Strength Rm Mpa	Akma Mukavemeti Rp MPa Yield Strength Rp MPa	Uzama As % Elongation %	Kesit Daralması Z % Reduction of Area Z %
		135-185	400-550	250-350	15-27
	160	450	300	19	21
	155	450	300	19	21
	160	450	300	19	20

Mikroyapı Microstructure

Şarj No Charge	Grafite Ebadı Graphite Size	Küreselleşme % Nodularite %	%Matris %Matrix		% Zementit %Cementite
			Ferrite	Perrite	
0	OA-6	100	85	15	—
0	OA-6	100	85	15	—

Not

Notes

Inspector This inspection certificate was provided electronically and is valid without signature
Stamp The Signed Original is available at Demirsoy.


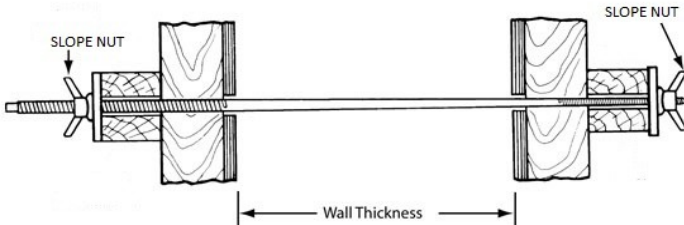


DEMİRSOY Döküm Metal İnş. San ve Tic. Ltd. Şti.
DEMİRSOY Casting metal Cons.Trade and Industry Ltd.Company
Tel/Phoc: 00 90 212 485 40 85
Faks/Fac: 00 90 212 485 49 42

**DEMİRSOY DÖKÜM METAL İNŞAAT
SANAYİ VE TİCARET LTD. ŞTİ.**



PRODUCT TECHNICAL INFORMATION

DISCRPTION	SLOPE NUT 120X120
PART NO	T120
WEIGHT (KG)	1,200
PICTURE/ DIMENSIONS	
MATERIAL	GGG40
USAGE	<p>THIS PART USED AS A NUT FOR TIE ROD BAR AT FORMWORK SYSTEMS OR CONTRUCTION. USUALLY IT IS USED AT INDUSTRIAL FORMWORK TO HOLD ME MOULD TOGETHER</p> 

Inspector
Stamp

This inspection certificate was provided electronically and is valid without signature
The Signed Original ia avaible at Demirsoy.



DEMİRSOY Döküm Metal İnş. San ve Tic. Ltd. Şti.
DEMİRSOY Casting metal Cons.Trade and Industry Ltd.Company
Tel/Pho: 00 90 212 485 40 85
Faks/Fax: 00 90 212 485 49 42

**DEMİRSOY DÖKÜM METAL İNŞAAT
SANAYİ VE TİCARET LTD. ŞTİ.**



TENSILE TEST RESULT/29.03.2017

DISCRIPTION	SLOPE NUT 120X120
PART NO	T120
WEIGHT (KG)	1,200
TEST DEVICE	100 Tons
NAME	Universal Testing Machine
BRAND	Shimadzu
ATRICLE NO	UH-F1000kNI
DEVICE TYPE	Digital
APPLIED METHOD	5mm/min
AMBIENT TEMPERATURE	21 C
MEASURED LOAD(kN)	174,87
REMARKS/RESULTS	After applying tensile force on sample till the value of 174,87 Kn , it is seen that stripping occured at this force and there was not any deformation on cast.
SAMPLE PHOTOS	

Inspector
Stamp

This inspection certificate was provided electronically and is valid without signature
The Signed Original ia available at Demirsoy.